

OPERATION WHEN DIRECTLY CONNECTED TO CHIMNEY	
Tested according to	EN 13229
Nominal heat power	11 kW
Efficiency	> 80 %
Consumption of wood	3,2 kg/h
Mass flow of flue gas	10 g/s
Average flue gas temperature on the output	238 °C
Heat distribution	
fireplace insert	55 %
door glass (single / double)	45 / - %
Required chimney pressure	12 Pa
Required amount of combustion air	25 m ³ /h
Minimum supply air grating cross-section	700 cm ²
Minimum outgoing air grating cross-section	850 cm ²

OPERATION WITH CONNECTED ACCUMULATION MASS	
Load of wood	5 kg
Total heat output of the burning chamber	20 kW
Mass flow of flue gas	12 g/s
Average flue gas temperature on the output ¹⁾ past 2,8 m of ceramic accumulation system KMS 300 ²⁾	344 °C 182 °C
Heat distribution	
fireplace insert	40 %
door glass (single / double)	45 / - %
adjoining accumulation mass	15 %
Required chimney pressure	12 Pa
Minimum radiant area ³⁾	ca. 4 m ²
Required amount of combustion air	50 m ³ /h

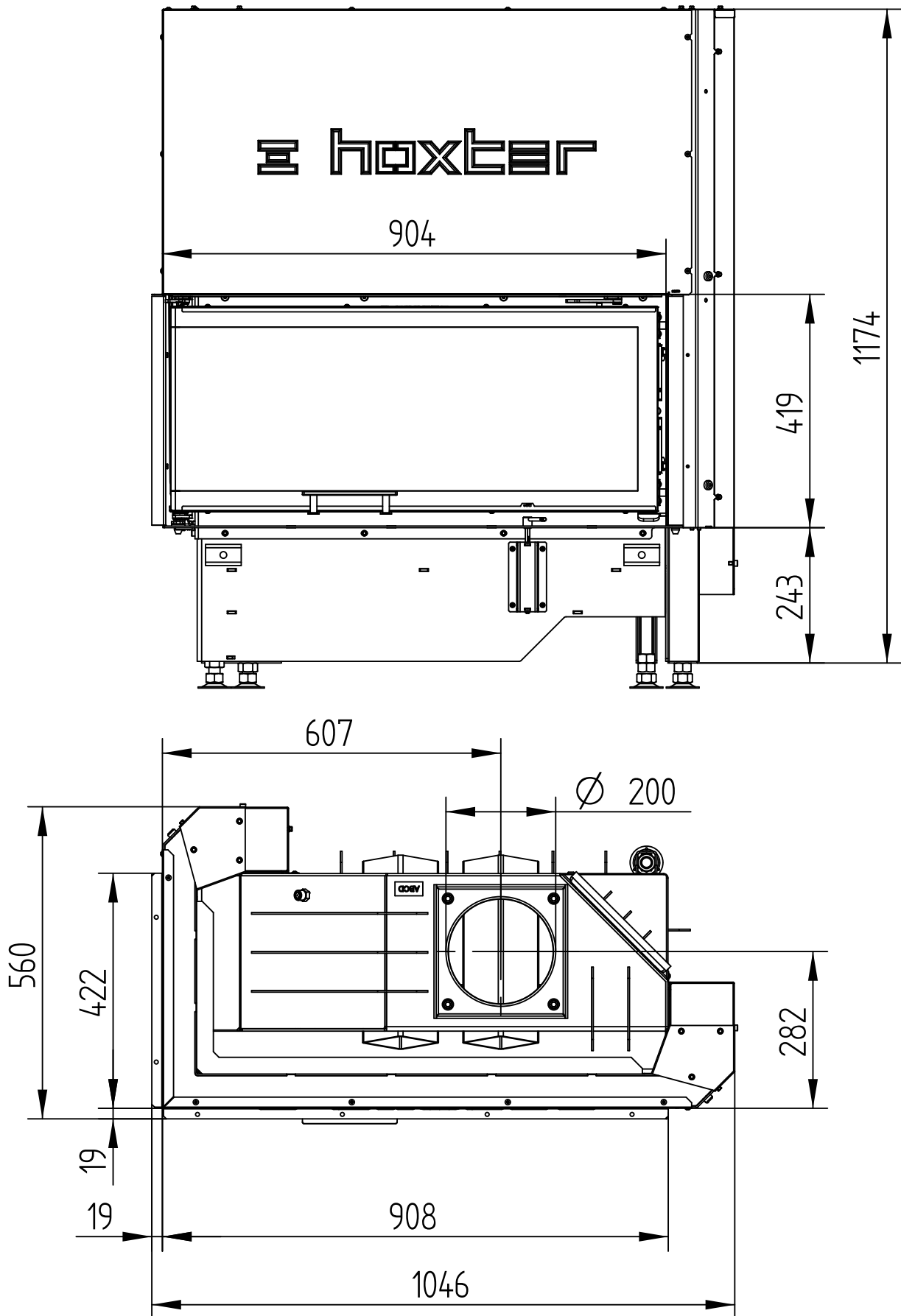
GENERAL TECHNICAL INFORMATION	
Combustion air connection	Ø 125 mm
Total weight / lining weight	ca. 280 / 65 kg
Use in non-ventilated accumulation builds according to craft rules	suitable
Meets values	BlmSchV (Stufe2), 15a BVG

- 1) The Hoxter products are available in the Austrian stove-calculation program for evaluation of firebrick accumulation systems.
- 2) Only a sample calculation! For accurate results is evaluation of each system in the KMS-calculation program from the Ortner company necessary.
- 3) Depends on accumulation period and material characteristics and its thickness. Calculated with heat emission of the radiant area ca. 500 W/m².hr

ECKA 90/40/40Lh

Technical data
Version 07/2015

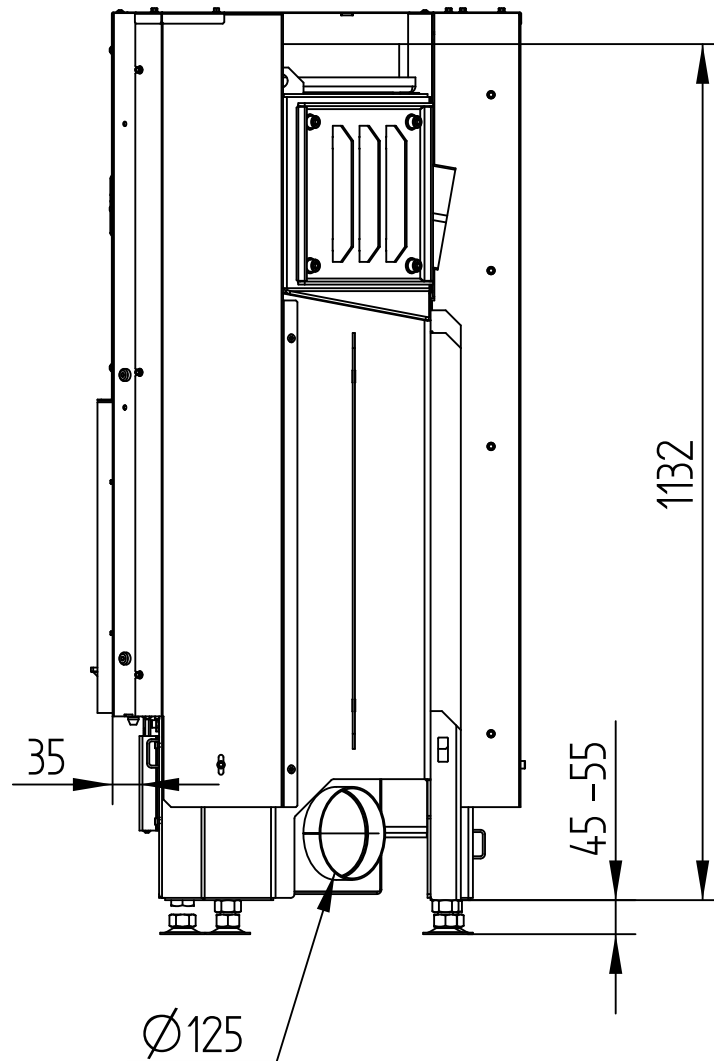
M 1 : 10



ECKA 90/40/40Lh

Technical data
Version 07/2015

M 1 : 10

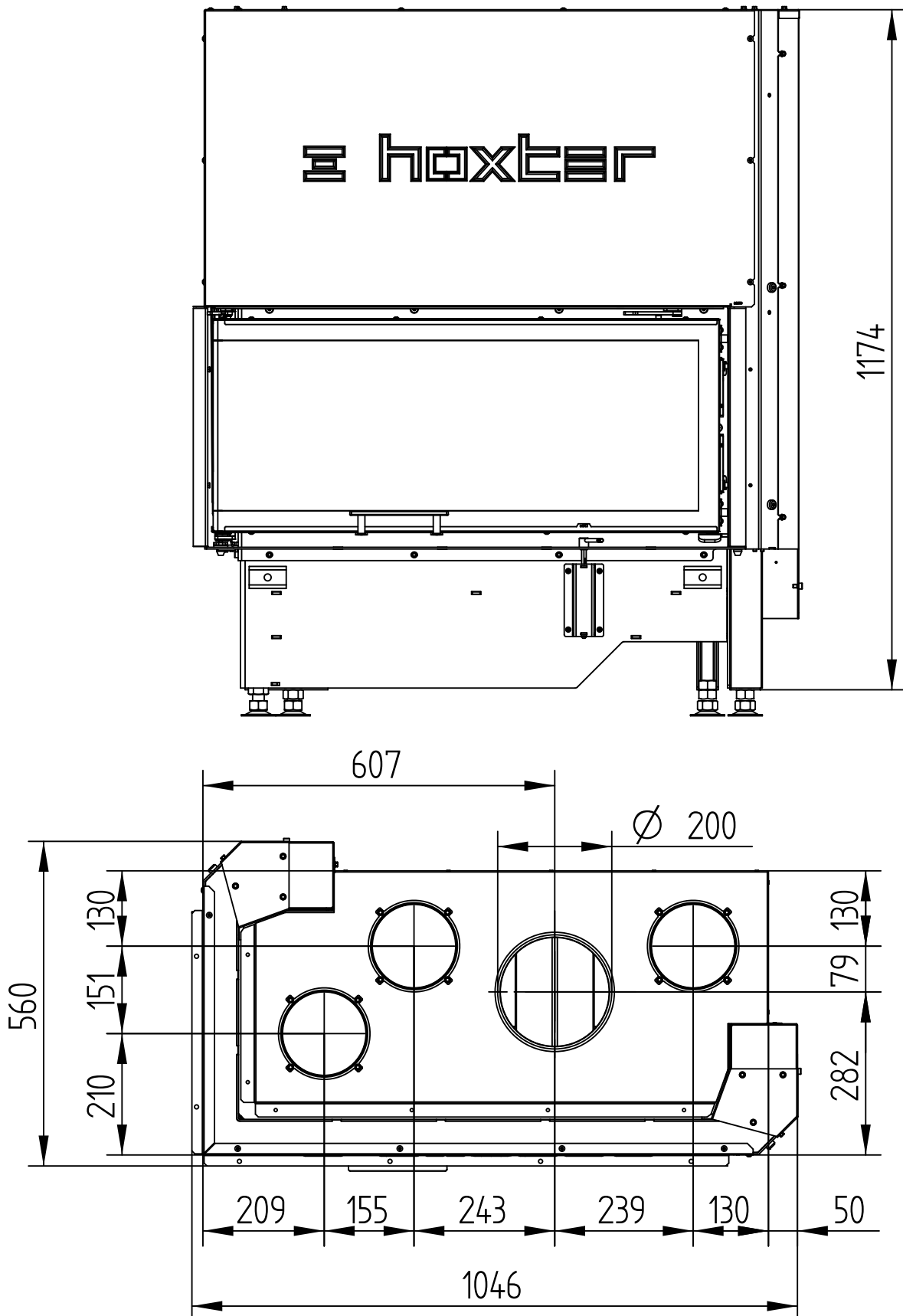


ECKA 90/40/40Lh

Technical data
Version 07/2015

HOT AIR JACKET

M 1 : 10

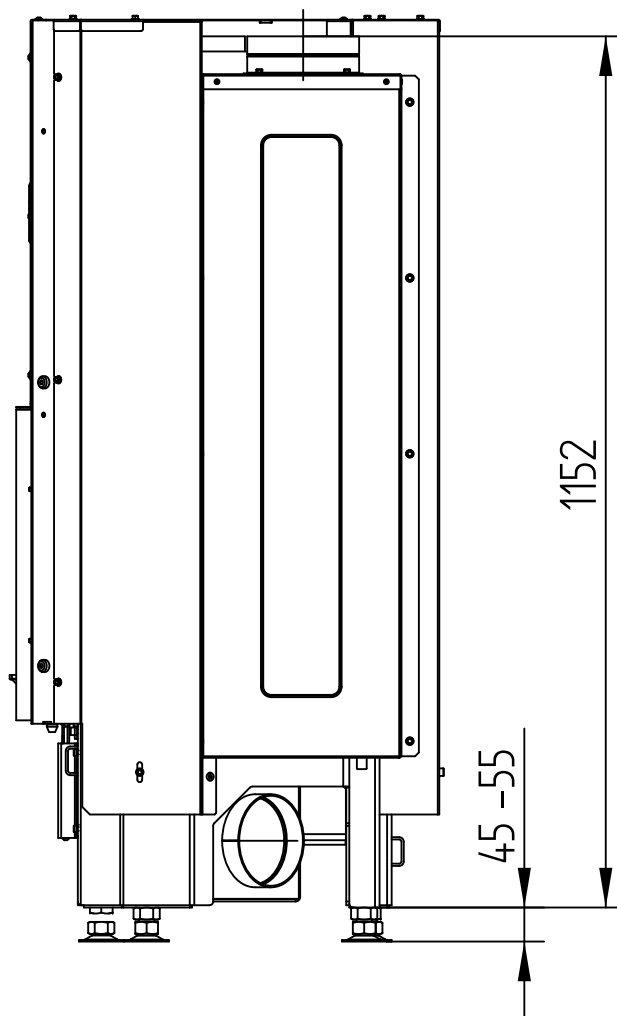


ECKA 90/40/40Lh

HOT AIR JACKET

Technical data
Version 07/2015

M 1 : 10

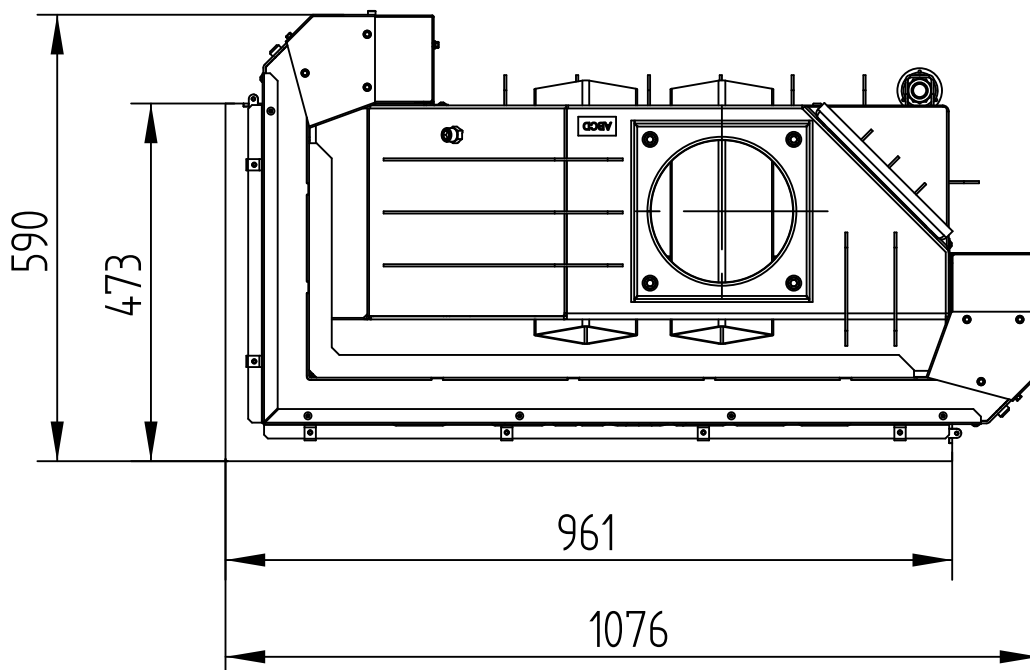
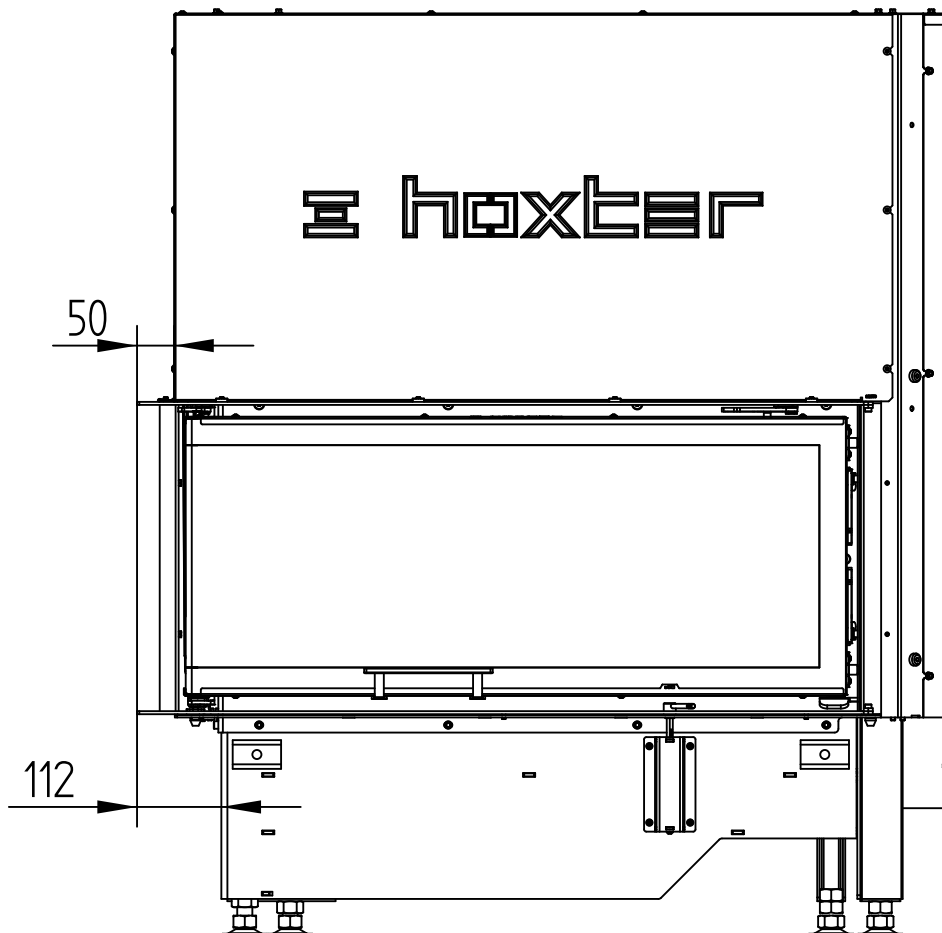


ECKA 90/40/40Lh

Technical data
Version 07/2015

BUILD-ON FRAME 6-SIDED, 50 mm

M 1 : 10

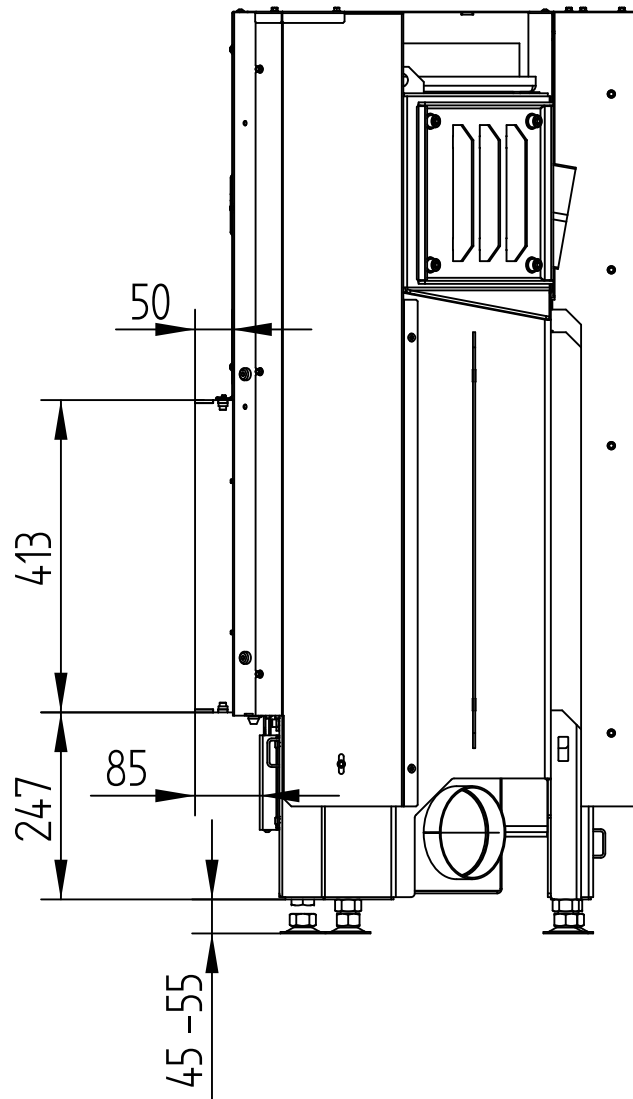


ECKA 90/40/40Lh

BUILD-ON FRAME 6-SIDED, 50 mm

Technical data
Version 07/2015

M 1 : 10

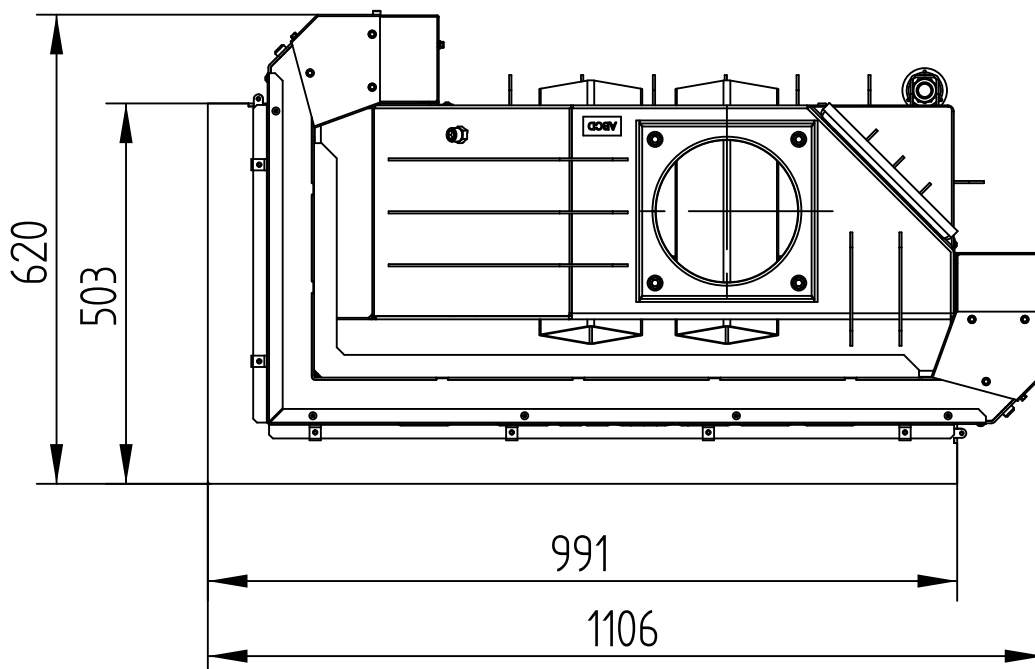
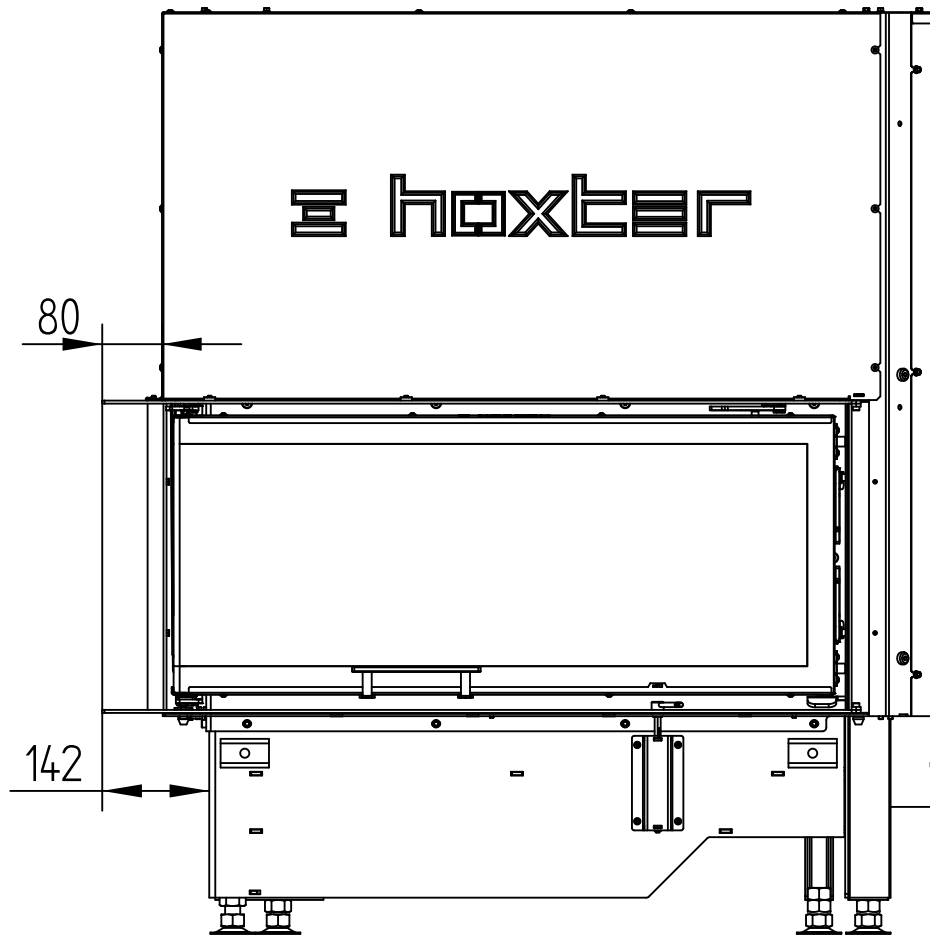


ECKA 90/40/40Lh

Technical data
Version 07/2015

BUILD-ON FRAME 6-SIDED, 80 mm

M 1 : 10



ECKA 90/40/40Lh

BUILD-ON FRAME 6-SIDED, 80 mm

Technical data
Version 07/2015

M 1 : 10

