

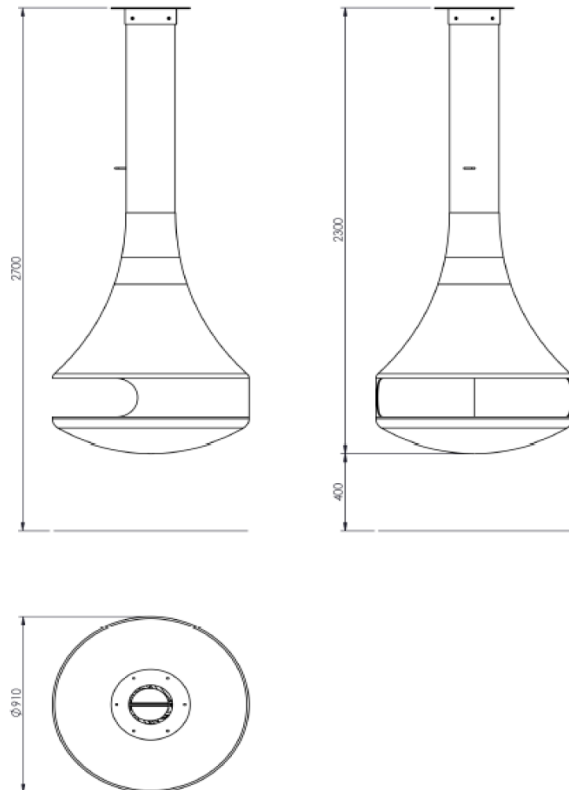
Hypnos



TECHNICAL DATA

HRP. Heat-resistant Paint	Yes
Ral	No
Dual combustión	No
Double Hood	Op
Detachable deflector	Yes
Ventilated back	No
Rotating system	Op
Combustion	L-G-B
Wall mount bracket	No
Flue pipe to the ceiling	No
Spark arrestor	Op
Commercial pipe connection diameter	H 200
Commercial pipe must be purchased separately	No
Net weight	169 kg
Gross weight	189 kg
Packaging	1230 x 1230 x 1800 mm
Performance	33%
Power	8,9 Kw

Model: Central
Without enclosure



C/ de Folgueroles, 3
Pol. Ind. Malloles
08500 Vic | Barcelona

T:+34 93 459 87 01
<https://www.traforart.net>
traforart@traforart.net

TRAFORART